

Operating Instructions

Series L 5000 Cord Reels

Model Numbers:

L 5000 L 5035 103 4 L 5550 123 3B L 5550 123 X
L 5400 L 5245 A 163 6X L 5550 123 3BC L 5550 124 X
L 5500 L 5550 123 3 L 5550 123 7 L 5750 103 4
L 5500 124 L 5550 123 3A L 5550 123 7A L 5750 103 4-RP
L 5700 L 5550 123 3AC L 5550 123 7B L 5750 103 X



IMPORTANT

Read this manual carefully before installing, operating or servicing this equipment.

Electrical Information

Voltage	AMPS	Frequency
125	13	60 HZ Single Phase
125	15	60 HZ Single Phase
600	16	60 HZ Single Phase
125	20	60 HZ Single Phase
125	30	60 HZ Single Phase



SAFETY

Personal injury and/or equipment damage may result if proper safety precautions are not observed.

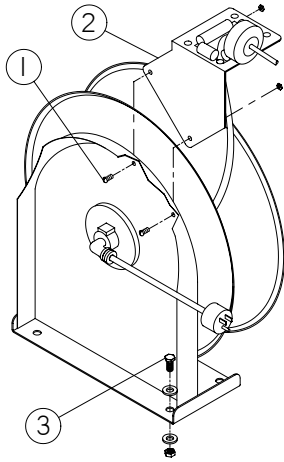
- Ensure that only a qualified electrician installs/services this equipment.
- Ensure that power supply voltage does not exceed maximum voltage rating of reel.
- Ensure that all electrical power is removed from reel before servicing.
- A high-tension spring assembly is contained within the reel. Exercise extreme caution.
- Check for frayed and/or broken wires before each use. Pull electrical cord from reel by grasping the electrical cord itself, not the work device.
- If an electrical malfunction should occur, remove power from reel immediately.
- Ensure that reel, electrical cord, and equipment being serviced are properly grounded. Use an ohmmeter to check ground continuity.
- If reel ceases to unwind or rewind, remove power immediately. Do not pull or jerk on electrical cord!
- Treat and respect the reel as any other piece of machinery, observing all common safety practices.
- All cord reels with flying leads must be hard wired into the electrical circuit to ensure proper function.

WARNING: Even low voltage can cause irreparable damage or death! Exercise extreme caution while operating or servicing this equipment.

Form# 565-291 Rev: 6/2018

Installation Instructions

Mounting



CAUTION:

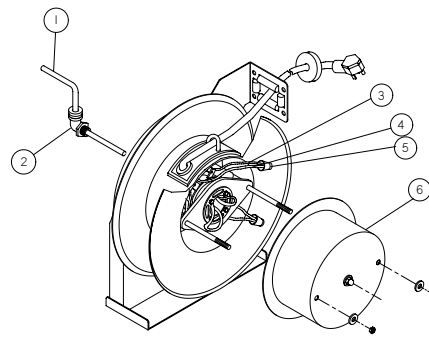
Unless reel was specified differently when ordering, maximum installation height is 16 feet. Do not exceed this distance. Ensure that only a qualified electrician installs/services this equipment. Observe applicable NEC, OSHA, and local codes when installing this equipment. Installation of GFCI cord reels should be performed by a qualified and licensed professional in accordance with local building codes and applicable NEC standards.

1. Unpack and inspect the reel for damage. Turn by hand to check for smooth operation. Check for completeness.
2. Configure reel for top, side or bottom-wind (bottom-wind for constant tension reels only) electrical cable dispensing by removing bolts (1) securing guide arm bracket (2).
3. Determine new guide arm bracket location and remove corresponding bolts. Position guide arm bracket to reel and replace bolts.
4. Position reel on floor, wall or ceiling. Secure into place using four (customer supplied) screws or bolts (3).

Installing the Input Electrical Cable: 30 AMP Models

WARNING:

Use only 10/3 cable for input wiring. Ensure that application does not exceed electrical rating of reel. (See page 1 of this manual).

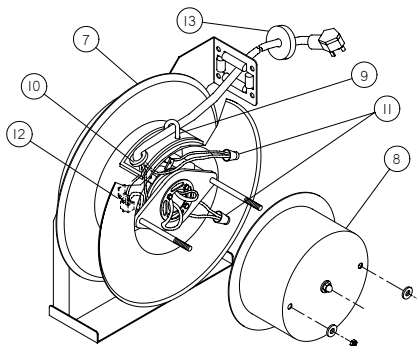


1. Feed input cable (1) through elbow (2) and main shaft.
2. Screw elbow (2) into reel.
3. Connect input wires (3) and collector ring wires (4) together using wire nuts (5).
4. Assemble cover (6) to reel.

Installing the Output Electrical Cable: 30 AMP Models

WIRE COLOR CODE

Black-Hot
White-Neutral
Green-Ground



WARNING:

Select output cable in accordance with power requirement of apparatus to be supplied. Ensure that application does not exceed electrical rating of reel (see page 1 of this manual). Use extreme caution, reel under tension. Avoid releasing latch mechanism.

1. Manually turn sheave (7) until spring is tight, back off 2 turns, and latch.
2. Remove access cover (8).
3. Remove 6" of output electrical cable outer jacket.
4. Route cable through guide arm and U-clamp (9) then through cut-out (10)

in spool.

5. Tighten U-clamp (9).
6. Using wire nuts (11), connect output electrical cable wires to collector assembly brush wires as indicated in illustration.
7. Connect ground wire of output electrical cable to ground lug (12) located on inner side of spool.
8. Using ohmmeter, check for ground faults.
9. Replace access cover (8). Release latch and wind output electrical cable onto reel.
10. Install bumper stop (13).

Adjusting the Spring Tension

If necessary, adjust spring tension on reel by adding or removing wraps of electrical cord from spool, one wrap at a time, until desired tension is obtained. Add wraps to increase tension. Remove wraps to decrease tension.

WARNING:

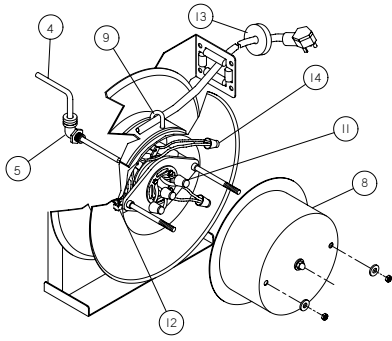
When adding wraps of electrical cord, be careful not to exceed the winding mechanism's spring capacity. Add just enough wraps of cord to achieve the desired tension. Damage to the winding mechanism will result if spring is over-tightened. Always be aware of spring tension on reel. Exercise extreme caution.

Troubleshooting Instructions: 30 AMP Models

Troubleshooting of the reel consists of isolating a problem to a defective electrical cord/work device, brush holder/brushes, or collector assembly. Refer any other discrepancies only to an authorized service person or directly to Reelcraft.

WARNING:

The following procedure directs the technician to take voltage measurements. Remember, even low voltage is dangerous and can cause personal injury or death. Exercise extreme caution! Ensure that only a qualified electrician installs/services this equipment.



1. Remove power from reel.
2. Remove cover (8) from reel.
3. Remove wire nuts (14) securing input electrical cable wires to collector ring assembly wires. Ensure that bare wires do not contact each other or the reel superstructure.
4. Apply power to reel.
5. Using voltmeter, check voltage between black wire (hot) and white wire (neutral). If voltage reading is correct (120 vac), proceed to step 6. If voltage reading is incorrect, replace input electrical cable or Collector Ring Ass'y (refer to Service Instructions).

**Service Instructions:
30 AMP Models**

WARNING:

Remove power from reel before performing any of the following procedures.

Replacing the Input Electrical Cable

1. Remove access cover (8) from reel.
2. Remove wire nuts (14) connecting input electrical cable (4) wires to collector ring ass'y wires.
3. Unscrew elbow (5) from reel & pull out input cable from main shaft & elbow.
4. Install replacement input cable (refer to Installation Instructions).

Replacing the Output Electrical Cord

WARNING:

Use extreme caution, reel under tension. Avoid releasing latch mechanism.

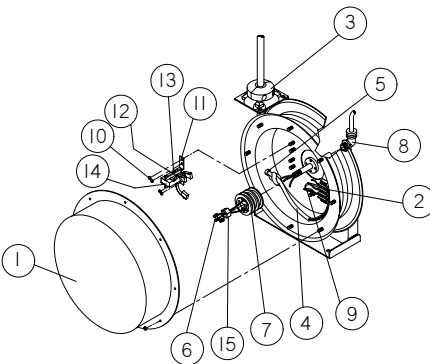
1. Pull output electrical cable from reel until cable is fully extended, then latch.
2. Remove access cover (8).
3. Remove wire nuts (11) securing output electrical cable wires to collector assembly brush wires.
4. Remove output electrical cable ground wire from ground lug (12).
5. Loosen U-clamp (9).
6. Remove output electrical cable.
7. Remove bumper stop (13).
8. Install replacement input electrical cable (refer to Installation Instructions).

**Troubleshooting Instructions:
20 AMP Models**

Troubleshooting of the reel consists of isolating a problem to a defective electrical cord/work device, brush holder/brushes, or collector assembly. Refer any other discrepancies only to an authorized service person or directly to Reelcraft.

WARNING:

The following procedure directs the technician to take voltage measurements. Remember, even low voltage is dangerous and can cause personal injury or death. Exercise extreme caution! Ensure that only a qualified electrician installs or services this equipment.



1. If work device is either an incandescent or fluorescent light, replace bulb with a known good bulb. If this does not correct the problem, proceed to step 2. If work device is an electrical receptacle, ensure that tool or fixture connected to it is in good working order. If it is, proceed to step 2.
2. Remove power from reel.
3. Remove access cover (1).
4. Reapply power to reel.

5. Check for correct voltage (120 vac) at a terminal strip (2). If voltage reading is correct, replace output electrical device (refer to Service Instructions). If voltage reading is incorrect, proceed to step 6.
6. Remove power from reel.
7. Using ohmmeter, check continuity of input electrical cord. If cord checks good, proceed to step 8. If cord is faulty, replace it (refer to Service Instructions). Remove brush holder/brushes from reel and inspect (refer to Service Instructions). Replace defective components then proceed to step 9.
8. Reapply power to reel.
9. Check for correct voltage (120 vac) at terminal strip (2).
10. If voltage reading is still incorrect, replace defective collector assembly (refer to Service Instructions).
11. Replace access cover (1).

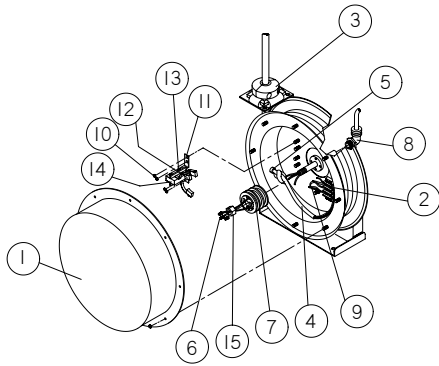
**Service Instructions:
20 AMP Models**

Maintain reel by following the service instructions given below. Refer all other repairs, other than those listed, only to an authorized service person or directly to Reelcraft. Failure to do so can result in personal injury and/or equipment damage and may void the warranty.

Replacing the Output Electrical Cord/Work Device

WARNING:

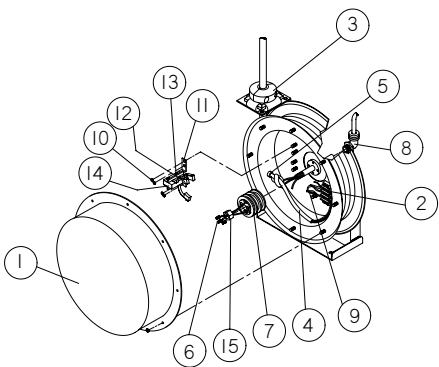
Remove power from reel before performing any of the following procedures. Use extreme caution, reel under tension. Avoid releasing latch mechanism.



1. Pull output electrical cord from reel until fully extended, then latch.
2. Remove output bumper stop (3).
3. Remove access cover (1).
4. Disconnect output electrical cord/work device (4) at terminal strip (2).
5. Remove cable clamp.
6. Remove strain relief (5). Remove output electrical cord/work device.
7. Install replacement electrical cord/work device by reversing steps 2 through 5.
8. Release latch and rewind electrical cord on reel.
9. Replace access cover (1) and bumper stop (3).

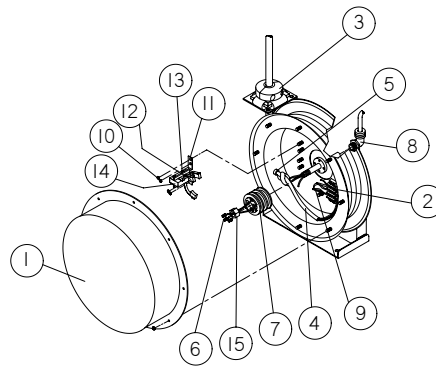
Replacing the Input Electrical Cord

WARNING:
All cord reels with GFCI receptacles must be hard wired into the electrical circuits. Use of 2 or 3 prong plugs may cause a potential malfunction of the GFCI receptacle.



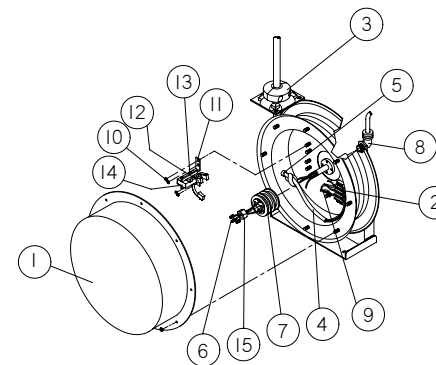
1. Remove access cover (1).
2. Remove wire nuts (6) securing input electrical cord to collector assembly (7).
3. Remove zip tie (not pictured), being careful to not damage wires.
4. Remove 90 degree elbow (8).
5. Remove input electrical cord.
6. Remove 11" of outer jacket from replacement input electrical cord (input electrical cord wires must protrude a minimum of 6" from center of collector assembly).
7. Install replacement input electrical cord by reversing steps 1 through 4.
8. Replace access cover (1).

Replacing the Brush Holder/Brushes



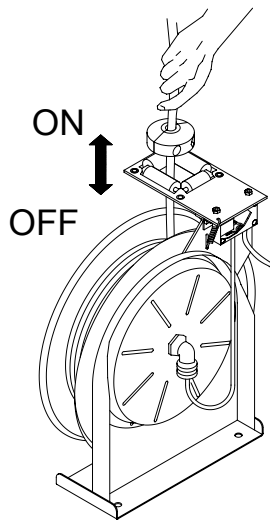
1. At terminal strip (2), remove wires connecting brushes (9) to terminal strip.
2. Remove lock nuts (10) securing brush holder (11) to reel. Relocate cable clamp temporarily and remove brush holder.
3. Remove brushes (12) from brush holder (11).
4. Install replacement brush holder/brushes by reversing steps 1 through 3. Upon completion of installation, adjust brush-to-ring alignment by loosening nuts (13) and sliding finger assembly (14).

Replacing the Collector Assembly



1. Remove access cover (1).
2. Remove wire nuts (6) securing input electrical cord to collector assembly.
3. Remove zip tie (not pictured), being careful to not damage wires.
4. At terminal strip (2), disconnect wires (9) connecting brushes (12) to terminal strip.
5. Remove lock nuts (10) securing brush holder (11) to reel. Relocate cable clamp temporarily and remove brush holder.
6. Remove coupling nut (15).
7. Remove collector assembly.
8. Install replacement collector assembly by reversing steps 1 through 5. Upon completion of installation, adjust brush-to-ring alignment by loosening nuts (13) and sliding finger assembly (14).
9. Replace access cover (1).

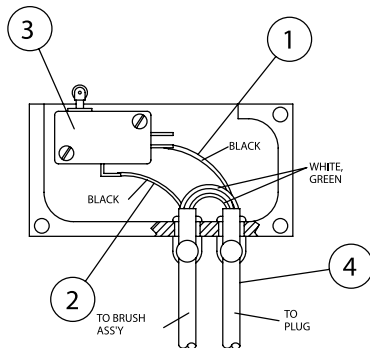
Operating Instructions Autoswitch



Operation

To operate Autoswitch reels, pull and retract cable. When cable is fully retracted, the reel is in the "OFF" position. As the cable is pulled out, the guide arm pivots upward and the reel is in the "ON" position.

Troubleshooting Autoswitch



Service Instructions

Maintain reel by following the service instructions given below. Refer all other repairs, other than those listed, only to an authorized service person or directly to Reelcraft. Failure to do so can result in personal injury and/or equipment damage and may void the warranty.

If reel fails to operate electrically, refer to "Troubleshooting" instructions on page 5. If problem persists, check switch using the following steps.

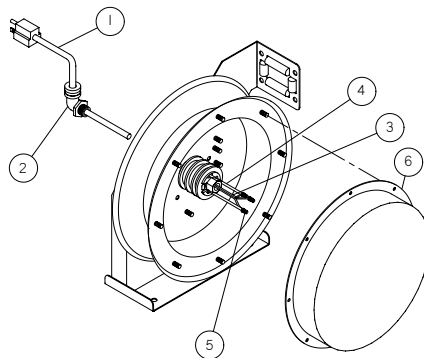
Using an ohmmeter, check for continuity between lines (1) and (2) while switch is in the "ON" or "UP" position. If continuity test fails, replace switch (3). If continuity test passes, check for inlet cord (4) damage.

Installation Instructions

Installing the Input Electrical Cable: 20 AMP Models

WARNING:

Use only 12/3 or 16/3 cable for input wiring. Ensure that application does not exceed electrical rating of reel (see page 1 of this manual).

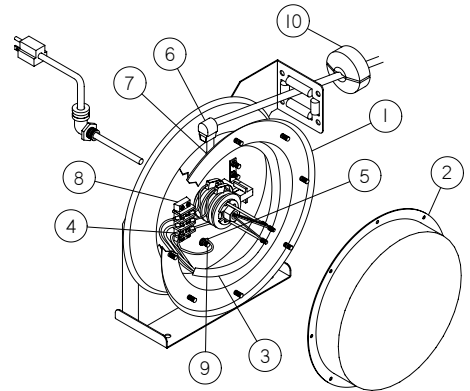


1. Feed input cable (1) through elbow (2) and main shaft.
2. Screw elbow (2) onto reel.
3. Connect input wires (3) and collector ring wires (4) together using wire nuts (5).
4. Take the provided zip tie (not pictured) and zip tie the input cable wires together closest to the slip ring.
5. Assemble cover (6) to reel.

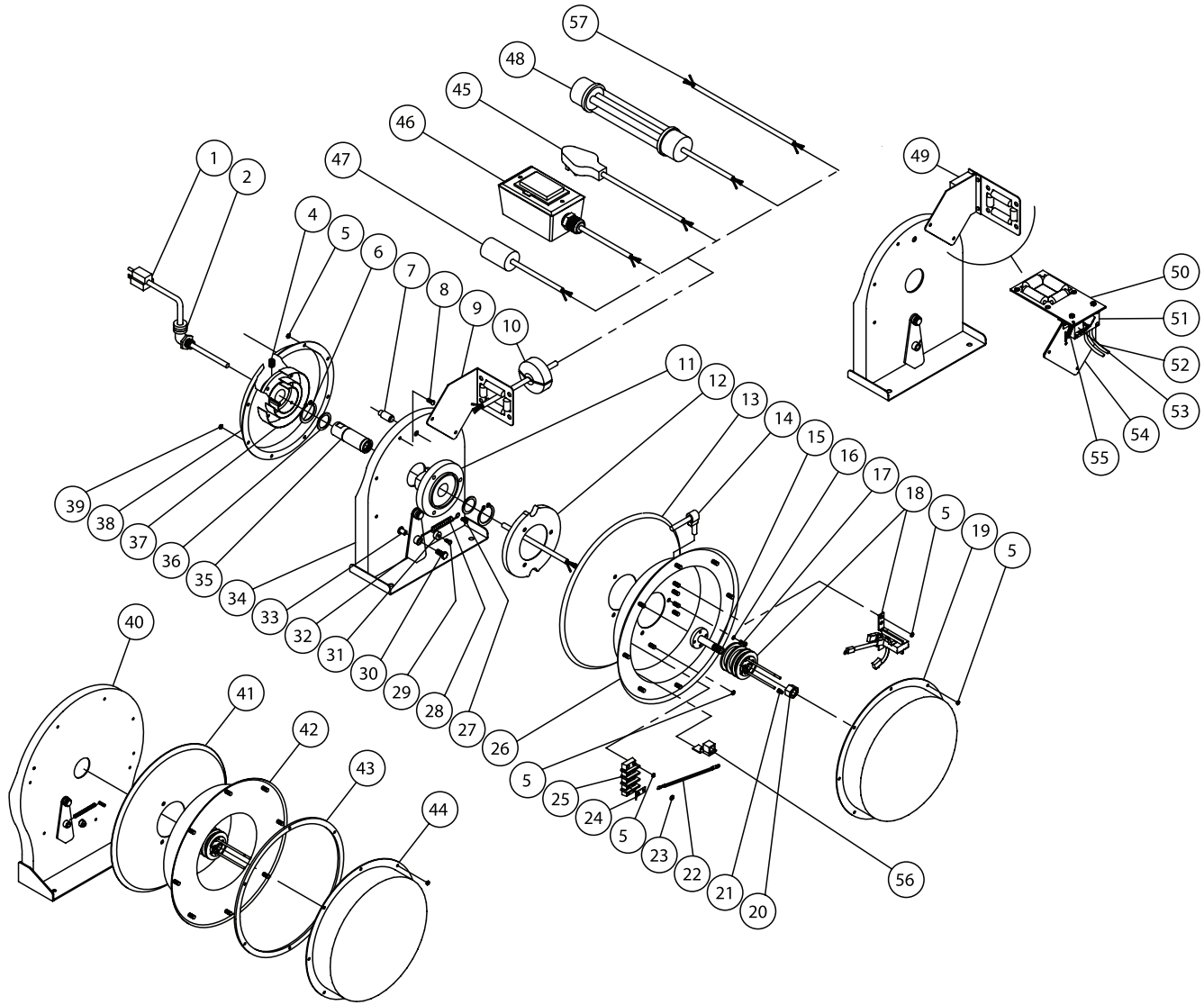
Installing the Output Electrical Cable: 20 AMP Models

WARNING:

Select output cable in accordance with power requirement of apparatus to be supplied. Ensure that application does not exceed electrical rating of reel (see page 1 of this manual). Use extreme caution, reel under tension. Avoid releasing latch mechanism.

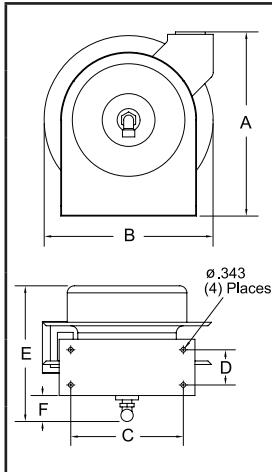


1. Manually turn sheave (1) until spring is tight, back off 2 turns and latch.
2. Remove access cover (2).
3. Remove 6" of output cable outer jacket (3) and add fork terminals (4) to ends.
4. Route cable through strain relief (6), then through cut out in spool (7).
5. Pull enough cable through hole for roughly a 1/2 an inner wrap shown.
6. Connect output wires to terminal block (8) as shown.
7. Connect ground wire to grounding stud (9) as shown.
8. Using an ohmmeter check for ground faults.
9. Take the provided cable clamp (not pictured) and attach it to the wire. Then take the cable clamp and screw it down to the right-most screw on the brush assembly (with the brush assembly facing upward).
10. Replace cover (2).
11. Replace latch and wind cable onto reel.
12. Install bumper stop (10).



Dimensions - Size Index

	1	2	3
A	14 1/2"	17 1/2"	17 1/2"
B	13 1/2"	16 1/2"	16 1/2"
C	9 3/4"	9 3/4"	9 3/4"
D	2 1/2"	2 1/2"	2 1/2"
E	10 1/2"	10 1/2"	12 1/2"
F	2 1/8"	2 1/8"	2 1/8"



Series L 5000 Cord Reels

Item #	Description	# Req.	L 5000	L 5400	L 5500	L 5500 124	L 5700	L 5035 103 4	L 5245 A 163 6X
1	Inlet Cord Assembly	1	None	None	None	None	None	None	None
2	Connector, 90° Cord	1	S158-3		*	S158-2	S158-3	S158-3	261140-1-C
4	Screw, Set Pin	1	300006	300006	300006	300006	300006	300006	300006
5	Lock Nut 10-32	22							
6	Snap Ring	1	None	300031	300031	300031	300031 (x2)	300031	300031
7	Spring Case Stud	1	S261360	S261360	S261360	S261360	S261360	S261360	S261360
8	Screw 10-32 x 1/2	7	300002	300002	300002	300002 (x8)	300002 (x8)	300002	300002
9	Guide Arm and Roller	1	S500107	S500107	S500107	S500107	S500107	S500107	None
10	Bumper Stop Assembly	1	1-HR1004-3	None	*	1-HR1004	1-HR1004-3	1-HR1004-3	600927
11	Spring Arbor	1	S400017	S400017	S400017	S400017	S400017	S400017	S400017
12	Latch Cam	1	S500019	S500019	S500019	S500019	S500019	S500019	S500019
13	Disc, Sheave	1	500006	400006	None	None	None	500006	400006
14	Strain Relief	1	262181		*	261082	262181	262181	260633
15	Flange Shaft	1	602391	None	None	None	602391	602391	None
16	Split Lock Washer	3	902016	902016	902016	902016	902016	902016	902016
17	Hex Bolt 1/4-20	3	S2-42	S2-42	S2-42	S2-42	S2-42	S2-42	S2-42
18	Slip Ring and Brush	1	**	602296	602296	602297	**	**	602296
19	Cover	1	**	261723	None	None	None	**	261723
20	Snap Ring	1	None	S137-12	S140-13	S140-13	None	None	S140-13
21	Wire Nut	3	**		*	260774 (x4)	**	**	260500
22	Grounding Cord	1	None	600283	600283	600283	None	None	600241
23	Lock Washer	1	None	S115-10	S115-10	S115-10	None	None	S115-10
24	Quick Connect	1	None	260609	260609	260609	None	None	260609
25	Terminal Block	1	None	600205	600205	600280	None	None	600205
26	Sheave Assembly	1	602406	600254	None	None	None	602406	600194-1
27	Screw 10-32 x 3/8"	5	None					None	300001
28	Latch Plate Spring	1	S400018	S400018	S400018	S400018	S400018	S400018	S400018
29	Screw 10-24 x 3/8"	1	None	S32-136				None	S32-136
30	Screw 10-32 x 1"	1	300035	300035				300035	300035
31	Latch Bumper	1	S400021	S400021	S400021	S400021	S400021	S400021	S400021
32	Latch Plate Assembly	1	S400109	S400109	S400109	S400109	S400109	S400109	S400109
33	Latch Bushing	1	S400012	S400012	S400012	S400012	S400012	S400012	S400012
34	Base Assembly	1	500101	500101	None	None	None	500101	500101
35	Main Shaft	1	None	602348	602348	602349	None	None	602348
36	Spacing Washer	2	300034	300034	300034	300034	300034	300034	300034
37	Drive Spring Assembly	1	S504240	S503755	S600050	S600050	S600050	S504240	S503755
38	Spring Case and Hub	1	S500103	S500103	S600094	S600094	S600094	S500103	S500103
39	Nut, Nyloc	7	S82-15	S82-15 (x23)	S82-15 (x23)	S82-15 (x21)	S82-15 (x9)	S82-15	S82-15
40	Base Assembly	1	None	None	600029	600029	600029	None	None
41	Disc, Sheave	1	None	None	300006	260151	260151	None	None
42	Sheave Assembly	1	None	None	600281	602351	S602388	None	None
43	Gasket	1	None	None	260696	260696	None	None	None
44	Cover	1	None	None	261723	261723	**	None	None
45	Plug 50', RV Plug 35'	1	None	None	None	None	None	602408	None
48	Fluorescent Lamp and Cord Assembly	1	None	None	None	None	None	None	600481
49	Autoswitch Assembly	1	None	None	None	None	None	None	600480
50	Roller Plate Assembly	1	None	None	None	None	None	None	600342
51	Switch Box	1	None	None	None	None	None	None	260780
52	Inlet Cord Assembly	1	None	None	None	None	None	None	600472
53	Switch	1	None	None	None	None	None	None	260775
54	Guide Arm	1	None	None	None	None	None	None	600529
55	Spring	1	None	None	None	None	None	None	260779
56	Grounding Terminal	1	260675	None	None	None	260675	260675	None
Dimension Size Index # - See page 6			1	1	2		3	1	1

***Included in hardware kit #602048**

****Included in hardware kit #602375**

Series L 5000 Cord Reels

Item #	Description	# Req.	L 5550 123 3	L 5550 123 3A	L 5550 123 3AC	L 5550 123 3B	L 5550 123 3BC	L 5550 123 7	L 5550 123 7A
1	Inlet Cord Assembly	1	260630	602002	602785	602002	602785	260630	602002
2	Connector, 90° Cord	1	S261140	S261140	S261140	S261140	S261140	S261140	S261140
4	Screw, Set Pin	1	300006	300006	300006	300006	300006	300006	300006
5	Lock Nut 10-32	20							
6	Snap Ring	1	300031	300031	300031	300031	300031	300031	300031
7	Spring Case Stud	1	S261360	S261360	S261360	S261360	S261360	S261360	S261360
8	Screw 10-32 x 1/2	2	300002	300002	300002	300002	300002	300002	300002
9	Guide Arm and Roller	1	S500107	S500107	S500107	S500107	S500107	S500107	S500107
10	Bumper Stop Assembly	1	1-HR1004	1-HR1004-A	1-HR1004-A	1-HR1004-A	1-HR1004-A	1-HR1004	1-HR1004
11	Spring Arbor	1	S400017	S400017	S400017	S400017	S400017	S400017	S400017
12	Latch Cam	1	S500019	S500019	S500019	S500019	S500019	S500019	S500019
14	Strain Relief	1	260697-R	260697-R	260697-R	260697-R	260697-R	260697-R	260697-R
16	Split Lock Washer	3	902016	902016	902016	902016	902016	902016	902016
17	Hex Bolt 1/4-20	3	S2-42	S2-42	S2-42	S2-42	S2-42	S2-42	S2-42
18	Slip Ring and Brush	1	602296	602296	602296	602296	602296	602296	602296
20	Snap Ring	1	S140-13	S140-13	S140-13	S140-13	S140-13	S140-13	S140-13
21	Wire Nut	3	260774	260774	260774	260774	260774	260774	260774
22	Grounding Cord	1	600283	600283	600283	600283	600283	600283	600283
23	Lock Washer	1	S115-10	S115-10	S115-10	S115-10	S115-10	S115-10	S115-10
24	Quick Connect	1	260609	260609	260609	260609	260609	260609	260609
25	Terminal Block	1	600205	600205	600205	600205	600205	600205	600205
27	Screw 10-32 x 3/8"	6							
28	Latch Plate Spring	1	S400018	S400018	S400018	S400018	S400018	S400018	S400018
30	Screw 10-32 x 1"	1							
31	Latch Bumper	1	S400021	S400021	S400021	S400021	S400021	S400021	S400021
32	Latch Plate Assembly	1	S400109	S400109	S400109	S400109	S400109	S400109	S400109
33	Latch Bushing	1	S400012	S400012	S400012	S400012	S400012	S400012	S400012
35	Main Shaft	1	602348	602348	602348	602348	602348	602348	602348
36	Spacing Washer	2	300034	300034	300034	300034	300034	300034	300034
37	Drive Spring Assembly	1	S600050	S600050	S600050	S600050	S600050	S600050	S600050
38	Spring Case and Hub	1	S600094	S600094	S600094	S600094	S600094	S600094	S600094
39	Nut, Nyloc	21	S82-15	S82-15	S82-15	S82-15	S82-15	S82-15	S82-15
40	Base Assembly	1	600029	600029	600029	600029	600029	600029	600029
41	Disc, Sheave	1	260151	260151	260151	260151	260151	260151	260151
42	Sheave Assembly	1	600281	600281	600281	600281	600281	600281	600281
43	Gasket	1	260696	260696	260696	260696	260696	260696	260696
44	Cover	1	261723	261723	261723	261723	261723	261723	261723
46	Dual GFCI Receptacle	1	None	None	None	None	None	602332-50	602333-50
47	Single Outlet (Female)	1	600282	602386	602386	602451-50	602451-50	None	None
56	Grounding Terminal	1	None	None	None	None	None	None	None
57	Flying Lead	1	None	None	None	None	None	None	None
Dimension Size Index # - See page 6			2	2	2	2	2	2	2

***Included in hardware kit #602048**

****Included in hardware kit #602375**

Series L 5000 Cord Reels

Item #	Description	# Req.	L 5550 123 7B	L 5550 123 X	L 5550 124 X	L 5750 103 4	L 5750 103 4-RP	L 5750 103 X
1	Inlet Cord Assembly	1	602002	262307	262328	None	None	None
2	Connector, 90° Cord	1	S261140	262293 262294	262293 262294	S158-3	S158-3	262293 262294
4	Screw, Set Pin	1	300006	300006	300006	300006	300006	300006
5	Lock Nut 10-32	20						
6	Snap Ring	1	300031	300031	300031	300031 (x2)	300031 (x2)	300031 (x2)
7	Spring Case Stud	1	S261360	S261360	S261360	S261360	S261360	S261360
8	Screw 10-32 x 1/2	2	300002	300002	300002 (x8)	300002 (x8)	300002 (x8)	300002
9	Guide Arm and Roller	1	S500107	S500107	S500107	S500107	S500107	S500107
10	Bumper Stop Assembly	1	1-HR1004-A	1-HR1004	1-HR1004	1-HR1004-3	1-HR1004-3	1-HR1004-3
11	Spring Arbor	1	S400017	S400017	S400017	S400017	S400017	S400017
12	Latch Cam	1	S500019	S500019	S500019	S500019	S500019	S500019
14	Strain Relief	1	260697-R	260697-R	260697-R	262181	262181	262181
15	Flange Shaft	1	None	None	None	602391	602391	602391
16	Split Lock Washer	3	902016	902016	902016	902016	902016	902016
17	Hex Bolt 1/4-20	3	S2-42	S2-42	S2-42	S2-42	S2-42	S2-42
18	Slip Ring and Brush	1	602296	602296	602297	**	**	**
20	Snap Ring	1	S140-13	S140-13	S140-13	None	None	None
21	Wire Nut	3	260774	260774	260774	**	**	**
22	Grounding Cord	1	600283	600283	600283	None	None	None
23	Lock Washer	1	S115-10	S115-10	S115-10	S115-8 (x4)	S115-8 (x4)	S115-8 (x4)
24	Quick Connect	1	260609	260609	260609	None	None	None
25	Terminal Block	1	600205	600205	600205	None	None	None
27	Screw 10-32 x 3/8"	6						
28	Latch Plate Spring	1	S400018	S400018	S400018	S400018	S400018	S400018
30	Screw 10-32 x 1"	1						
31	Latch Bumper	1	S400021	S400021	S400021	S400021	S400021	S400021
32	Latch Plate Assembly	1	S400109	S400109	S400109	S400109	S400109	S400109
33	Latch Bushing	1	S400012	S400012	S400012	S400012	S400012	S400012
35	Main Shaft	1	602348	602348	602349	None	None	262462
36	Spacing Washer	2	300034	300034	300034	300034	300034	300034
37	Drive Spring Assembly	1	S600050	S600050	S600050	S600050	S600050	S600050
38	Spring Case and Hub	1	S600094	S600094	S600094	S600094	S600094	S600094
39	Nut, Nyloc	21	S82-15	S82-15	S82-15	S82-15 (x9)	S82-15 (x9)	S82-15 (x9)
40	Base Assembly	1	600029	600029	600029	600029	600029	600029
41	Disc, Sheave	1	260151	260151	260151	260151	260151	260151
42	Sheave Assembly	1	600281	600281	600281	S602388	S602388	S602388
43	Gasket	1	260696	260696	260696	None	None	None
44	Cover	1	261723	261723	261723	**	**	**
45	Plug 50', RV Plug 35'	1	None	None	None	602409	602788	None
46	Dual GFCI Receptacle	1	602255-50	None	None	None	None	None
56	Grounding Terminal	1	None	None	None	260674	260674	260675
57	Flying Lead	1	None	602353-50	602475-50	None	None	602418
Dimension Size Index # - See page 6			2	2	2	3	3	3

***Included in hardware kit #602048**

****Included in hardware kit #602375**