

Most Compact

Ideal for locations where space is limited



TW5425 OLP

Bevel Crank

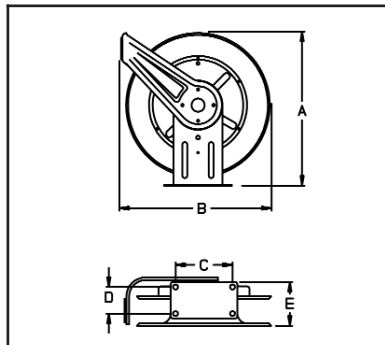
Longest hose lengths up to 250'



BA36106 L

APPLICATIONS

- Workshop
- Industrial
- Welding Trucks
- Automotive
- Construction Equipment
- Railroads
- Cranes
- Bridge Builders
- Crane Riggers
- Mobile Service
- Agricultural
- Mining (above ground)



DUAL HOSE REELS FOR OXYGEN/ACETYLENE AND OXYGEN/FUEL GAS APPLICATIONS

	TW5000 O		TW7000 O		BA36106 L		BA36112 L		TW80000 O	
	in / mm		in / mm		in / mm		in / mm		in / mm	
A	14 1/2	368	20 1/4	514	20 5/8	524	20 5/8	524	25 3/8	645
B	13 3/4	349	19	483	17 3/4	451	17 3/4	451	24	610
C	9 3/4	248	7 7/8	200	9	229	9	229	10	254
D	2 1/2	64	3 7/8	98	9 3/4	248	15 3/4	400	6	152
E	6	152	7	178	16 5/8	423	22 5/8	575	13	330

Model TW5000 O has 5/16" (8mm) diameter mounting holes. TW7000 O has 1/2" (12.7mm) mounting holes and the TW80000 has 1/2" (12.7mm) diameter mounting holes. Acetylene (red) inlet 1/4" FPT / oxygen (green) inlet 1/4" FPT. TW80000 models inlets are 9/16" (14.28mm).

Made in USA

MODELS WITH HOSE				HOSE CAPACITY				MODELS WITHOUT HOSE					
MODEL	WEIGHT		PRESSURE		I.D.		O.D.		LENGTH		MODEL	WEIGHT	
	lbs / kg	psi / bar	in / mm	in / mm	in / mm	in / mm	ft / m	lbs / kg					
OXYGEN/ACETYLENE REELS													
TW5425 OLP	26	14	200	14	1/4	6	.530	14	25	8	TW5400 OLP	20	9
NEW STW3450 OLP	27	12	300	21	1/4	6	.530	14	50	15			
TW7450 OLP	53	26	200	14	1/4	6	.530	14	50	15	TW7400 OLP	43	19
TW7460 OLP	55	27	200	14	1/4	6	.530	14	60	18	TW7400 OLP	43	19
SERIES 30000 HAND CRANK					1/4	6	.530	14	125	38	BA36106L	50	22
SERIES 30000 HAND CRANK					1/4	6	.530	14	250	76	BA36112L	57	25
WELDING GAS (T-GRADE) REELS													
TW5425 OLPT	26	14	200	14	1/4	6	.530	14	25	8	TW5400 OLPT	20	9
TW7450 OLPT	54	26	200	14	1/4	6	.530	14	50	15	TW7400 OLPT	43	19
TW7460 OLPT	56	27	200	14	1/4	6	.530	14	60	18	TW7400 OLPT	43	19
TW84100 OLPT	105	48	200	14	1/4	6	.530	14	100	30	TW84000 OLPT	80	36
TW86075 OLPT	99	45	200	14	3/8	10	.625	16	75	23	TW86000 OLPT	86	39

Acetylene and fuel gas (red) inlet 1/4" FPT / oxygen (green) inlet 1/4" FPT. TW84000 and TW86000 have B size 9/16" - 18 UNF male welding inlets.

HOSE INLET CONNECTING FITTINGS - OPTIONAL

MODEL NO.		INLET CONNECTION FITTINGS
90°	S300090	ACETYLENE Bsize 9/16 - 18 LH (M) x 1/4" NPT (M)
	S300091	OXYGEN Bsize 9/16 - 18 RH (M) x 1/4" NPT (M)
Straight	261371	OXYGEN Bsize 9/16 - 18 RH (M) x 3/8" NPT (M)
	261372	ACETYLENE/fuel gas - Bsize 9/16 - 18 LH (M) x 3/8" NPT (M)

Hose supplied on oxygen/acetylene reels is twin-Siemese type meeting R.M.A. and C.G.A. type V.D., grade RM specifications. For information on welding cable reel see page 46.

NOTE:

Reels without hose. Model Series TW5400 OLP, TW 7400 OLP, TW 84000 OLPT and TW 86000 OLPT are U/L listed #70H2.



In a hurry? We can ship same day!

See page 53 for a complete list of our Quick Ship reels

North America: **800-444-3134** Asia: **+63 (45) 625-6624**
 Europe: **+44 (0) 1536 406999** Latin America: **260-489-1685**

Reelcraft Industries is **ISO 9001:2000**
 Certified Since 1996

Models listed with an icon can be shipped same day upon request when the order is received by 11:30 AM local time for quantities of 5 or fewer.

- Indiana Warehouse
- California Warehouse
- Indiana & California Warehouses
- Canadian Warehouse