



LARGE FRAME REELS

Series 40

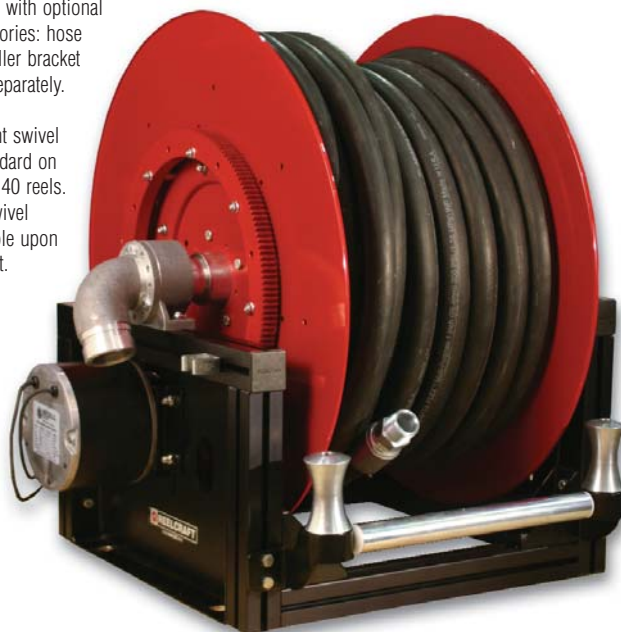
FEATURES

- ✓ Standard straight ball bearing swivel joint with female NPT threads and 2" victaulic groove. 90° swivel available, no extra charge.
- ✓ Hand crank, bevel crank, gear and chain drives in chart.
- ✓ Also available as standard, explosion proof 12VDC, 115 AC, hydraulic and pneumatic motor.
- ✓ Powder coated steel flanges included, aluminum also available as standard.
- ✓ Open spool spacer allows for easy access to reversible goose neck and open spool design allows for hose flexing under pressure without spool distortion.
- ✓ Plumbing and motor shown on left side; however, any configuration is available as a standard order.
- ✓ Standard colors are powder coat red with black frame. Other colors available upon request.
- ✓ Max pressure: 600 psi. Standard seals maximum temperature 174° F (79° C) and minimum temperature -20° F (-29° C). Extreme temperature seals maximum temperature 400° F (204° C) and minimum temperature -50° F (-45° C).
- ✓ Chain/gear guard is a recommended option, sold separately.

Contact Reelcraft for guard, switch and roller brackets.

Shown with optional accessories: hose and roller bracket sold separately.

Straight swivel is standard on Series 40 reels. 90° swivel available upon request.



Series 40
Patent Pending

Also available in standard drive types:

Explosion proof
12VDC
24VDC
115VAC

Pneumatic Motor
Hydraulic Motor
Auxiliary Bevel Crank

Part Number Options 4□1131□□1LC

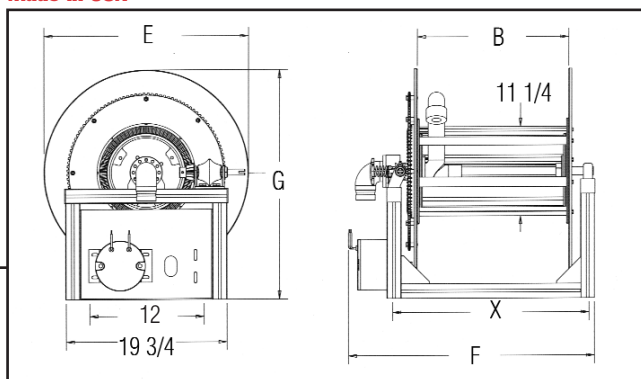
Hose ID:

- 1 = 1" hose
- 2 = 1 1/4" hose
- 3 = 1 1/2" hose
- 4 = 2" hose

Drive Type:

- CG = Hand Crank
- BG = Bevel Crank (only)
- DH = 12VDC, Gear Drive
- EH = 12VDC, Chain Drive

Made in USA



SPECIFICATIONS

HOSE CAPACITY	SERIES 41				SERIES 42				SERIES 43				SERIES 44			
	in / mm		in / mm		in / mm		in / mm		in / mm		in / mm		in / mm			
	HOSE I.D.		HOSE I.D.		HOSE I.D.		HOSE I.D.		HOSE I.D.		HOSE I.D.		HOSE I.D.			
	1	25	1 1/4	32	1 1/2	38	2	51								
	1 9/16	40	1 13/16	46	2 1/16	52	2 9/16	65								

MODEL	HOSE LENGTH				B		E		F Bevel		F Electric		G		X	
	ft / m		ft / m		in / mm		in / mm		in / mm		in / mm		in / mm		in / mm	
	ft	m	ft	m	in	mm	in	mm	in	mm	in	mm	in	mm	in	mm
4□1131□□1LC	80	25	50	15	—	—	—	—	—	—	—	—	—	—	—	—
4□2081□□1LC	80	25	50	15	—	—	—	—	—	—	—	—	—	—	—	—
4□1171□□1LC	100	30	80	25	50	15	—	—	—	—	—	—	—	—	—	—
4□2101□□1LC	100	30	80	25	50	15	—	—	—	—	—	—	—	—	—	—
4□1321□□1LC	200	60	150	45	100	30	—	—	—	—	—	—	—	—	—	—
4□2191□□1LC	200	60	150	45	100	30	—	—	—	—	—	—	—	—	—	—
4□3131□□1LC	200	60	150	45	100	30	40	12	13	330	29	737	26 3/4	679	28 3/4	730
4□3221□□1LC	325	100	250	75	200	60	60	18	22	559	29	737	31 3/4	806	33 3/4	857
4□4171□□1LC	350	105	275	84	200	60	80	24	17	432	33	838	26 3/4	679	28 3/4	730

Verify application dimensions and weight requirements prior to ordering.

Installation Note: For the warranty to be valid, a flexible connector MUST be used between the swivel and the inlet piping.

North America: 800-444-3134 Asia: +63 (45) 625-6624
Europe: +44 (0) 1536 406999 Latin America: 260-489-1685

www.reelcraft.com



REELCRAFT

Wind Things Up With Reelcraft™